



Butterfly Isolating Valves

Manually operated



measuring
•
monitoring
•
analysing



- p_{max.} PN 16
- t_{max.} +180 °C
- Connection:
Wafer flange housing
- Body:
GGG-40, aluminium
- Butterfly disc:
Stainless steel, St C22
- Seals:
NBR, EPDM, FKM
- DN 40 to DN 300



KOBOLD companies worldwide:

ARGENTINA, AUSTRIA, BELGIUM, CANADA, CHILE, CHINA, CZECHIA,
FRANCE, GERMANY, GREAT BRITAIN, INDIA, INDONESIA, ITALY,
MALAYSIA, MEXICO, NETHERLANDS, POLAND, SINGAPORE, SLOVAKIA,
SPAIN, SWITZERLAND, THAILAND, USA, VENEZUELA, VIETNAM

KOBOLD Messring GmbH
Nordring 22-24
D-65719 Hofheim/Ts.
☎ +49(0)6192 299-0
Fax +49(0)6192 23398
E-Mail: info.de@kobold.com
Internet: www.kobold.com

Model:
KLA-TA



Design

One-piece construction; for mounting between two flanges.

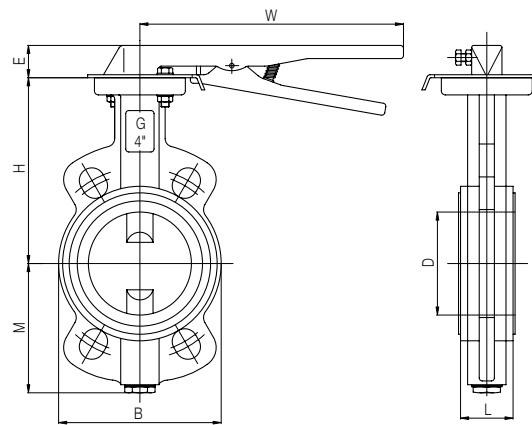
Materials

- Body: Aluminum alloy, GGG-40
- Disc: 1.4408, St C22 (KLA-TAH only)
- Shaft seal: NBR
- Shaft: Stainless steel 1.4016
- Bushing: Bronze
- Sleeve: EPDM, FKM
- Handle: Aluminium alloy

Technical Details

- Connections: Flanges DN 40 to DN 300
- Temperature range: EPDM: -35 °C to +120 °C
FKM: -20 °C to +180 °C
- Operating pressure
 - between 2 flanges: max. 16 bar (GGG body)
max. 10 bar (Alu body)
 - end valve: max. 6 bar
- Operation: Rotation of the handle through 90°, with 10 snap-in positions.

KLA-TA



Dimensions

| Flange [DN] | H [mm] | M [mm] | B [mm] | D [mm] | L [mm] | E [mm] | W [mm] | Weight [kg] |
|-------------|--------|--------|--------|--------|--------|--------|--------|-------------|
| 40 | 130 | 75 | 84 | 49 | 33 | 40 | 265 | 2.2 |
| 50 | 138 | 81 | 102 | 55 | 43 | 40 | 265 | 3.0 |
| 65 | 148 | 89 | 116 | 68 | 46 | 40 | 265 | 3.5 |
| 80 | 158 | 110 | 133 | 81 | 46 | 40 | 265 | 4.0 |
| 100 | 173 | 128 | 160 | 101 | 52 | 40 | 265 | 6.0 |
| 125 | 186 | 140 | 190 | 126 | 56 | 40 | 265 | 7.2 |
| 150 | 202 | 155 | 214 | 150 | 56 | 40 | 265 | 9.5 |
| 200 | 240 | 190 | 265 | 200 | 60 | 47 | 350 | 18.0 |
| 250 | 270 | 220 | 320 | 250 | 68 | 47 | 350 | 25.0 |
| 300 | 300 | 247 | 373 | 298 | 78 | 47 | 350 | 35.0 |

Order Details (example: KLA-TA 7 E F40)

| Order no. | Body | Seal | Connection size |
|-----------|-----------------------------|---------------------|--|
| KLA-TA | 7 = Aluminium H = GGG-40 | E = EPDM F = FKM | F40 = DN 40 F50 = DN 50 F65 = DN 65 F80 = DN 80 F1H = DN 100 F1Z = DN 125 F1F = DN 150 F2H = DN 200 F2F = DN 250 F3H = DN 300 |